

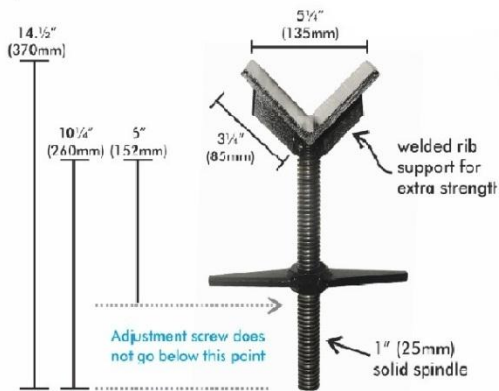
# New Arrivals To The PTS Range

**LIMITED STOCK**

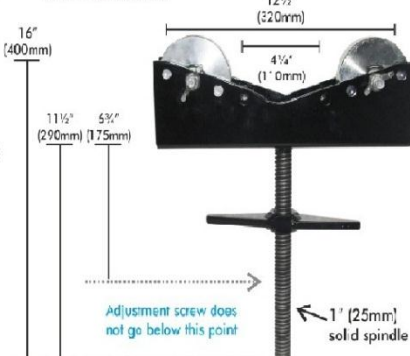
Tell: 011 462 4963 / 3766  
 E-mail: enquiries@ptswelding.co.za  
 Web: www.ptswelding.co.za

**Heavy duty**  
 Collapsible  
 Pipe stands

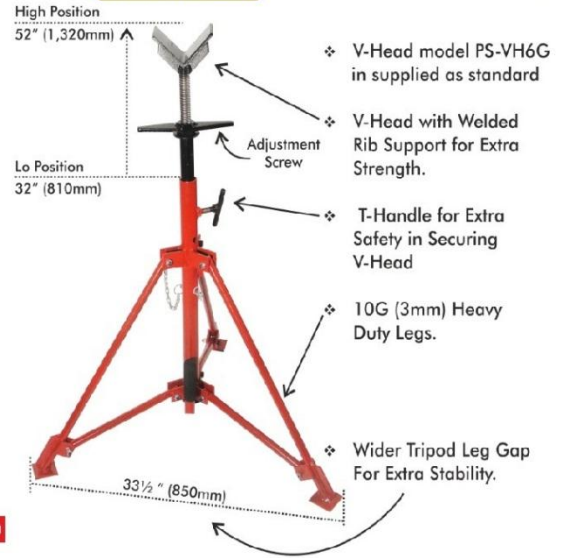
Pipe Stand V-Head 6G



Pipe Stand Roller Head 24 with steel wheels



**LOAD CAPACITY**  
 5000 Lbs / 2300Kg



Load Capacity	Weight	Suitable For Pipe Dia	Load Capacity	Weight	Suitable For Pipe Dia
4000Lb/1800Kg	2.8 Kg	1/2"-6" (12-30mm)	2500Lb/1135Kg	9.3 Kg	1-24" (50-600mm)

Portable Foldable Welding Table

**Load capacity**  
 180kg  
 (400Lbs)



**Features**

- Galvanized 14G steel sheet table top
- Table Dimension: 40"(L)x24"(W) (100x60cm)
- Folding legs
- Load capacity: 180kg (400Lbs)

Portable Welding Table

**Load capacity**  
 100kg  
 (220Lbs)



**Features**

- Galvanized 14G steel sheet table top
- Table Dimension: 36"(L) x20"(W) (90x50cm)
- Slag tray
- Load capacity: 100kg (220Lbs)
- Additional bottom shelf