

TUBE AND FITTING SQUARING MACHINE TYPE SE 25

■ The portable machine SE 25 is specially designed for squaring in position the diameters from 2 mm to 25.4 mm O.D.

■ The tool holder plate equipped with 1 tool insert allows to cover the machining range without any adjustment.

■ The setup of the tube is carried out quickly through a stainless steel monobloc collet.

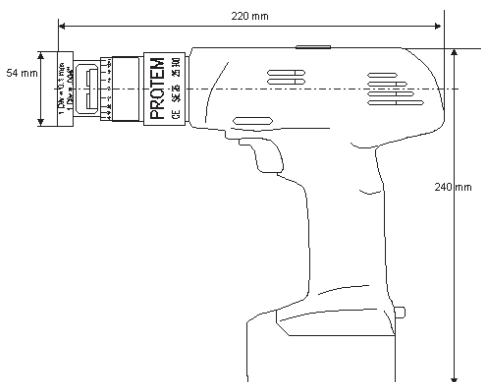
■ The machine features a graduated vernier which gives a high quality and accurate weld prep.



TECHNICAL SPECIFICATIONS

Clamping capacity	From 2 mm O.D. to 25.4 mm O.D.
Machining capacity	From 2 mm O.D. to 25.4 mm O.D.
RPM	Offload: 0 to 1200 rpm
Weight	2.5 kg
Feed	Graduated manual feed 1 div = 0.1 mm
Feed stroke	10 mm
Drive	Cordless electric drive
Optional equipment	<ul style="list-style-type: none"> - Right angle drive - Bench mounting provision - Machine on mains current - Dual clamping device - Beveling tool blocks

DIMENSIONS



TUBE AND FITTING SQUARING MACHINE TYPE SE 65

■ The portable machine SE 65 is specially designed for squaring in position the diameters from 12.7 mm to 60.3 mm O.D.

■ The tool holder plate equipped with 2 tool inserts allows to cover the machining range without any adjustment.

■ The setup of the tube is carried out quickly through a stainless steel monobloc collet.

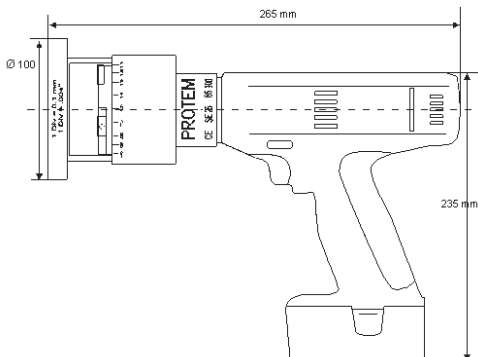
■ The machine features a graduated vernier which gives a high quality and accurate weld prep.



TECHNICAL SPECIFICATIONS

Clamping capacity	From 12.7 mm O.D. to 60.3 mm O.D.
Machining capacity	From 12.7 mm O.D. to 60.3 mm O.D.
RPM	Off load: 0 to 1200 rpm
Weight	3.5 kg
Feed	Graduated manual feed 1 div = 0.1 mm
Feed stroke	10 mm
Drive	Cordless electric drive
Optional equipment	<ul style="list-style-type: none"> - Right angle drive - Bench mounting provision - Machine on mains current - Dual clamping device

DIMENSIONS



TUBE AND FITTING SQUARING MACHINES TYPE SL 30 - 60 - 120

- The SL series has been especially made to square tubes, fittings and tees.
- The clearances, capacities and designs have been engineered along with the end-user industries. Ideal for clean room application.
- Perfect for squaring tees and fittings.
- Machining accuracy for orbital welding.
- Can be used as a portable tool or bench mounted.
- Machining of all steels, stainless steels, inconels and exotic alloys.



TECHNICAL SPECIFICATIONS

Clamping capacity	SL13:	3 to 13 mm O.D.
	SL30:	3 to 30 mm O.D.
	SL60:	13 to 63.5 mm O.D.
	SL 120:	50 to 120 mm O.D.
Weight	SL13:	4 kg
	SL 30:	5 kg maxi
	SL 60:	5.5 kg maxi
	SL 120:	6.5 kg maxi

