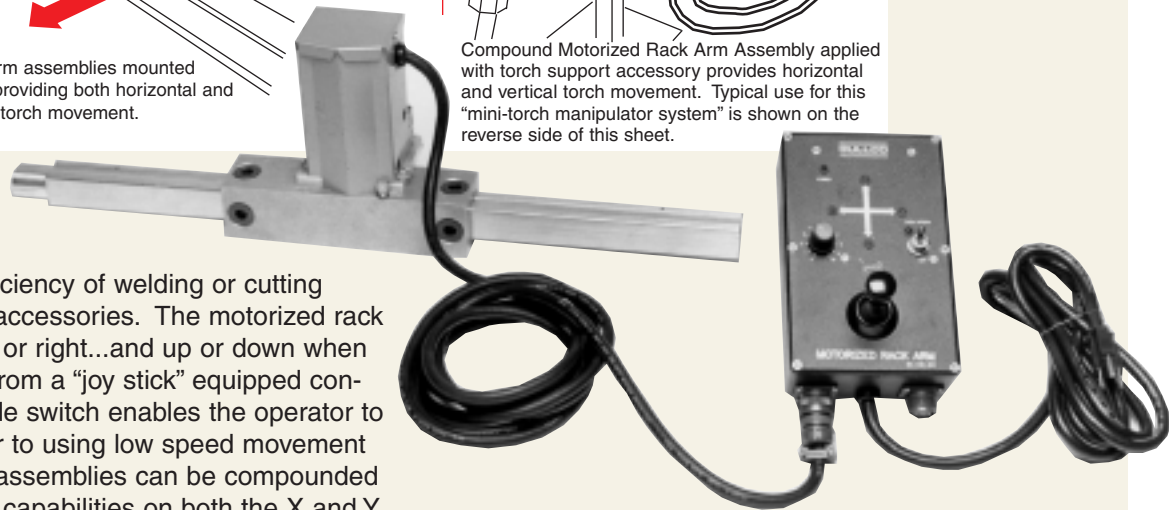
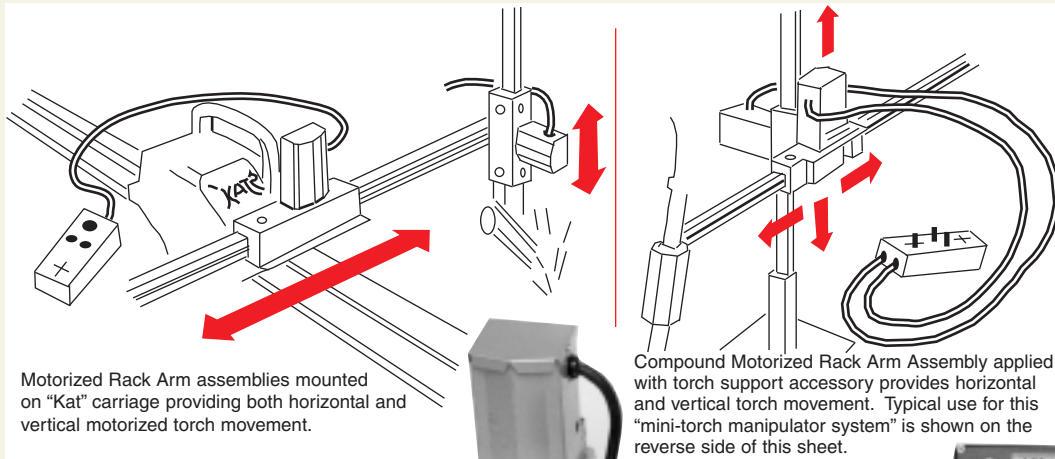




MOTORIZED WELDING GUN/CUTTING TORCH POSITIONING ASSEMBLY



Improve the precision and efficiency of welding or cutting operations with these Gullco accessories. The motorized rack box moves the arm to the left or right...and up or down when used vertically on command from a "joy stick" equipped control box. A high speed override switch enables the operator to quickly position the torch prior to using low speed movement to follow the weld seam. Two assemblies can be compounded to provide remote adjustment capabilities on both the X and Y axis....both controlled by a single joy stick. The following components are used to provide assemblies suited to various application requirements.

Model GK-190-214

-an 8" (203 mm) long, 1 1/8" (29 mm) motorized rack box with adjustable nylastic bearing plugs, mounting holes suited to the Gullco P-Kat carriage, a 24" (610 mm) long 1 1/8" (29 mm) rack arm* and a 15 ft. (4572 mm) control cable with quick disconnect plug for connection to the pendant control box.

Model GK-190-217

-a 10" (254 mm) long, 1 1/2" (38 mm) extra heavy duty motorized rack box with adjustable nylastic bearing plugs, mounting holes suited to the Gullco P-Kat carriage and a 24" (610 mm) long, 1 1/2" (38 mm) rack arm with one end turned to 1 1/8" (29 mm) diameter. Includes control cable described above.

Model GK-190-201

-remote pendant control box for use with either of the above models. It features a "joy stick" that gives the operator fingertip control of rack arm movement in either direction, vertically or horizontally. The control incorporates direction indicator lights, high speed selector switch, and speed potentiometer providing infinite adjustment of rack arm movement between .5 and 35 IPM (1.27-89 cm/min).

Compound Assemblies:

Comprised of two motorized rack boxes mounted at right angles to provide up/down, in/out movement of two 24" (610 mm) long rack arms. Supplied with two 15 ft. (4572 mm) control cables.

Model GK-190-216

- as above with 1 1/8" (29 mm) rack boxes and arms.

Model GK-190-219

- 1 1/2" (38 mm) rack boxes and arms.

The capacity of these motorized rack arms is 50 lbs. (20.4 kg) load vertical. **The extra heavy duty 1 1/2" (38 mm) arm provides an additional 33% rigidity over the 1 1/8" (29 mm) arm.** Safety is assured by the use of Gullco's low voltage (24 volt) micro processor based control system for operation in either 42, 110 or 230 volt A.C. single phase 50/60 Hz power supply. **Specify voltage when ordering.**

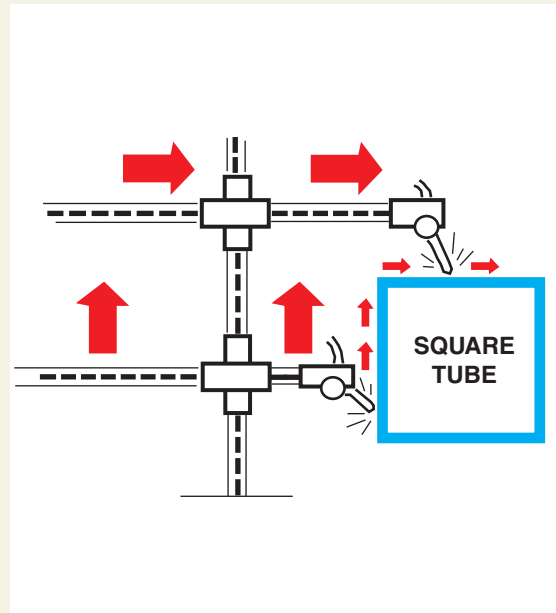
Limit switches and longer rack arms and control cables are available on request. Gullco motorized rack arms can be readily adapted to any existing welding fixture for operations requiring infinite precise adjustment of the welding gun position.



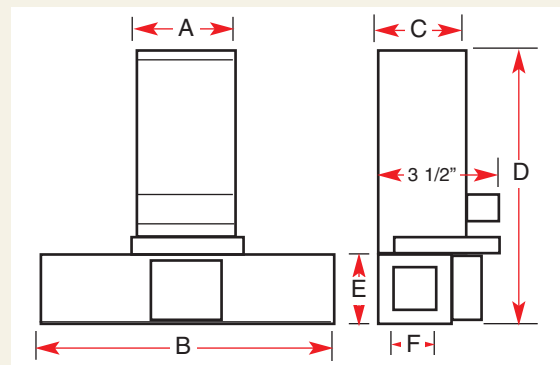
TYPICAL APPLICATION

Gullco Motorized Rack Arm Assemblies provide an effective, precise manipulator system for positioning cutting torches or welding guns. A typical application is illustrated at right:

A Compound Rack Arm Assembly (either Model GK-190-216 or 218) is shown being used to cut or weld two sides of a square tube. Using the joy stick-equipped pendulum control (Model GK-190-201), the vertically mounted box in the assembly moves up the arm to produce the vertical cut or weld. The arm of the second box is then extended to produce the horizontal cut or weld.



DIMENSIONS



DIMENSIONS (PER DRAWING)												
RACK BOX SIZE	A		B		C		D		E		F	
	in.	mm.	in.	mm.	in.	mm.	in.	mm.	in.	mm.	in.	mm.
1 1/8" sq.	3	76.2	8	203.2	2 3/4	69.85	7 3/8	187.3	2	50.8	1 1/8	28.57
1 1/2" sq.	3	76.2	10	254	2 3/4	69.85	7 7/8	200	2 1/2	63.5	1 1/2	38.1

KAT, MOGGY, KATBAK and SAM are registered trademarks of Gullco Enterprises Limited

SPECIFICATIONS ARE SUBJECT TO CHANGE WITHOUT NOTICE

Distributed by

GULLCO	Website: www.gullco.com
GULLCO INTERNATIONAL LIMITED - CANADA	
Phone: 905-953-4140 Fax: 905-953-4138 e-mail: sales@gullco.com	
GULLCO INTERNATIONAL INC. - U.S.A.	
Phone: 440-439-8333 Fax: 440-439-3634 e-mail: kat@apk.net	
GULLCO INTERNATIONAL [U.K.] LIMITED - EUROPE	
Phone: +44 (0) 1257-253579 Fax: +44 (0) 1257-254629 e-mail: sales@gullco.co.uk	
GULLCO INTERNATIONAL PTY LIMITED - AUSTRALIA	
Phone: 61 (0) 7 5496-9555 Fax: 61 (0) 7 5496-9522 e-mail: katoz@ozemail.com.au	
GULLCO INTERNATIONAL LIMITED - INDIA	
Telefax: 91 (0) 20-24272212 Fax: 91 (0) 20-26120802 e-mail: gullco@vsnl.com	
GULLCO INTERNATIONAL SHANGHAI LIMITED	
Phone: +8621-50460341 Fax: +8621-50463554 e-mail: suntech@online.sh.cn	