

TUBE CUTTING AND BEVELING MACHINES TTSNG and TTSRD SERIES (Light weight and low-clearance)

■ The TTSNG and TTSRD machines are designed as the TTNG series to cut and/or bevel tubes and pipes in one simultaneous operation up to 15 mm WT on carbon steel.

■ The lightweight and low-clearance of those

versions allow precise machining within very restricted working areas.

■ High speed tool steel cutting bits provide accurate weld joint machining while eliminating flame cutting and grinding procedures.

■ A variety of weld joint designs can be accomplished including square sever, double bevel, J bevel counterbore, compound bevel and socket weld removal.

■ The TTSRD version are equipped with a special clamping collets system which allow a quick and auto-centering clamping pipe. That model can only cut up to 5 mm WT.



TTSRD 88

FEATURES

- Machining capacity: 1/8" to 10"
- Heavy duty, Tool holder ring gear drive
- Split frame configuration: opening in 2 half-shells.
- Field adjustable bearings
- Pneumatic, electric or hydraulic drive motors
- The feed system may be clutched and unclutched
- Completely enclosed drive gears for operator safety
- Adjustable clamping jaws for maintaining concentric cuts.

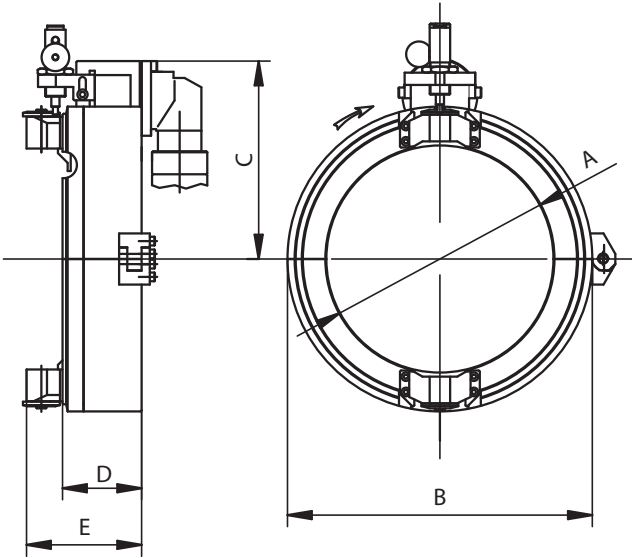
OPTIONS

- Counterboring
- TTSRD: - Clamping by collets
- Auto-centering system

TECHNICAL SPECIFICATIONS

Capacity	From 1/8" to 10" (more on request)
Clamping system	4 independent jaws for TTSNG; collets for TTSRD
Tool feed	Automatic with a clutch system
Cutting speed	Adjustable between 5 and 12 meters/mn
Motor drive	In line or right angle pneumatic drive 1HP

DIMENSIONS ⁽¹⁾



model	capacity	A mm	B mm	C mm	D mm	E mm	Weight kg
TTS NG 27	1/8" • 3/4"	30	106	99.5	59.3	126	3.5
TTS NG 33	1/8" • 1"	36	112	102.5	59.3	126	4
TTS NG 42	1/8" • 1 1/4"	45	121	107	59.3	114	4.5
TTS NG 48	1/8" • 1 1/2"	51	127	110	59.3	114	5
TTS NG 60	1/2" • 2"	63	139	116	59.3	114	5.3
TTS NG 73	1/2" • 2 1/2"	75	151	122	59.3	114	5.5
TTS NG 88	1" • 3"	90	166	129.5	59.3	114	6
TTS NG 101	1 1/2" • 3 1/2"	105	181	137	59.3	114	6.5
TTS NG 114	2" • 4"	117	193	143	59.3	114	7
TTS NG 127	2" • 4 1/2"	129	205	149	59.3	114	7.5
TTS NG 141	2 1/2" • 5"	144	220	156.5	59.3	114	8.5
TTS NG 168	3" • 6"	171	247	170	146	114	10
TTS NG 193	4" • 7"	195	271	182	158	114	11
TTS NG 219	5" • 8"	222	298	195.5	171.5	114	12
TTS NG 273	7" • 10"	276	352	222.5	59.3	114	14

(1) TTSRD: Dimensions on request.