

## TUBE CUTTING AND BEVELING MACHINES TTNG SERIES

■ The TTNG series pipe severing and beveling machines will sever and bevel in line pipe simultaneously.

■ This rugged equipment is easy and safe to operate. High speed tool steel cutting bits provide accurate weld joint machining while eliminating flame cutting and grinding procedures.

■ A variety of weld joint designs can be accomplished including square sever, double bevel, J bevel counterbore, compound bevel and socket weld removal



### FEATURES

- A variety of tool sizes for pipe severing and beveling from 2" to 78" in diameter
- Rugged, low friction bearing system
- Counterbore modules for accurate I.D. machining
- Powerful pneumatic or hydraulic drive motors
- Field adjustable bearings
- Completely enclosed drive gears for operator safety
- Adjustable clamping jaws for maintaining concentric cuts.

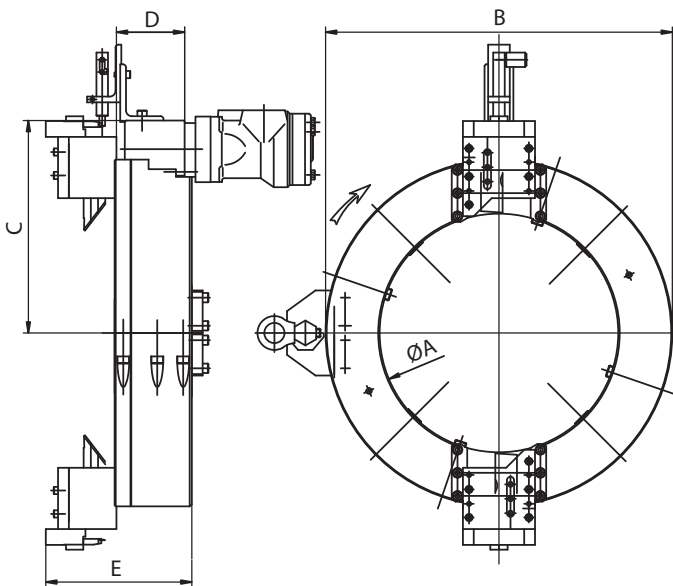
### OPTIONS

- Electric drive
- Hydraulic drive
- Copying carriage with template
- OD tracker
- Cutting wheel
- Counterboring.

### TECHNICAL SPECIFICATIONS

Capacity	From 2" to 78" (over 36" on request)
Clamping system	Split frame configuration 4 to 8 independent jaws
Tool feed	Automatic with a clutch system (remote controlled on request)
Cutting speed	Adjustable between 5 and 18 meters/mn
Motor drive	Right angle pneumatic drive 2.5 HP From TTNG 406: 2 x 2.5 HP

## DIMENSIONS



model	capacity	A mm	B mm	C mm	D mm	E mm	Weight kg
TTNG-168	2"•6"	175	325	217	107	192	34
TTNG-219	4"•8"	223	373	241	107	192	37
TTNG-273	6"•10"	283	433	271	107	192	44
TTNG-323	8"•12"	331	481	295	107	192	46
TTNG-406	10"•16"	415	565	337	107	192	51
TTNG-508	12"•20"	517	667	388	107	192	66
TTNG-610	16"•24"	619	788	448	107	192	77
TTNG-762	22"•30"	776	945	526.5	107	192	94
TTNG-900	26"•36"	925	1094	601	107	192	111
TTNG-1000	32"•40"	1016	1200	700	107	192	137
TTNG-1200	36"•48"	1262	1540	826	107	192	170
TTNG-1400	48"•56"	1460	1730	910	107	192	205