

DESIGN T-TYPE PIPE BEVELING MACHINE



Product Name : New Design T-Type Pipe Beveling Machine

Features : The machine adopts “T” shape construction design, convenient operation, light weight, easy to carry, safe use.

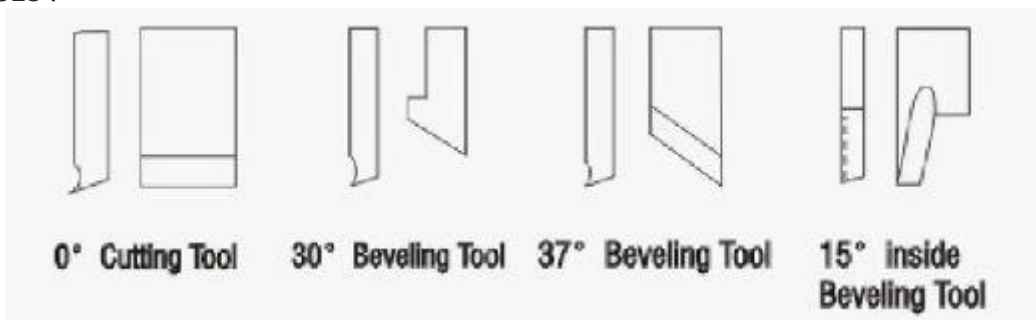
DRIVEN TYPE :

Pneumatic Model : Adopts pneumatic motor to drive; Air working pressure: 0.6-1.5Mpa. Air consuming flux 650-1500L/min. It can be used for inflammable and dangerous operation places.

AUTOMATIC CLAMP MECHANISM :



STANDARD TOOLS :



machine other bevel angles or alloy steel, cast steel, please declare before purchase order

TECHNICAL PARAMETER :

Pneumatic	Working Range (I.D.mm)	Wall thickness (mm)	Rotating rate (rpm)
TCM-90TN	$\varphi 25 - \varphi 90$	$\leq 15\text{mm}$	

