

Y-PIPE BEVELLING MACHINE



Product Name: Y-PIPE BEVELLING MACHINE Features

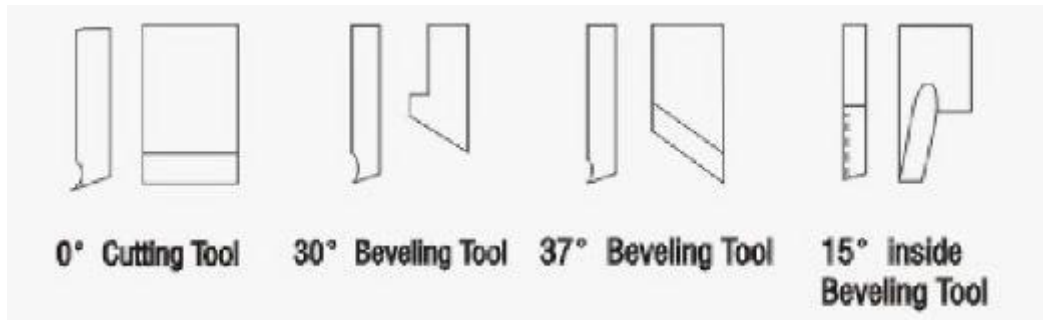
: The machine adopts “Y” shape construction design,minimal radial space,light weight,easy to carry,safe use. DRIVEN TYPE :
Electric Model : adopts high-performance carbon brush motor to drive, Voltage: 220V, Frequency: 50-60Hz, Power:0.5-2.5KW ;
Pneumatic Model : Adopts pneumatic motor to drive; Air working pressure: 0.6-1.5Mpa. Air consuming flux 650-1500L/min. It can be used for inflammable and dangerous operation places.

AUTOMATIC CLAMP MECHANISM :

ON-SITE PROCESS :



STANDARD TOOLS :



machine other bevel angles or alloy steel, cast steel, please declare before purchase order

TECHNICAL PARAMETER :

Pneumatic	Working Range (I.D.mm)	Wall thickness (mm)	Rotating rate (rpm)
TCM-150	Φ65-159	≤15	34

