

PTS Welding

Pipe Stand

Range

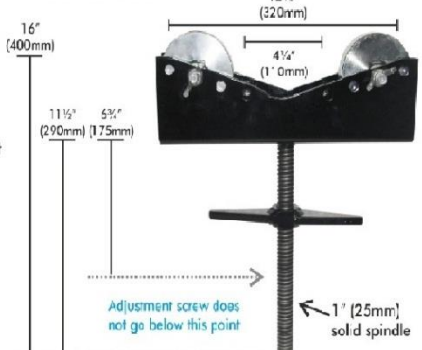
LIMITED STOCK

Heavy duty
Collapsible
Pipe stands

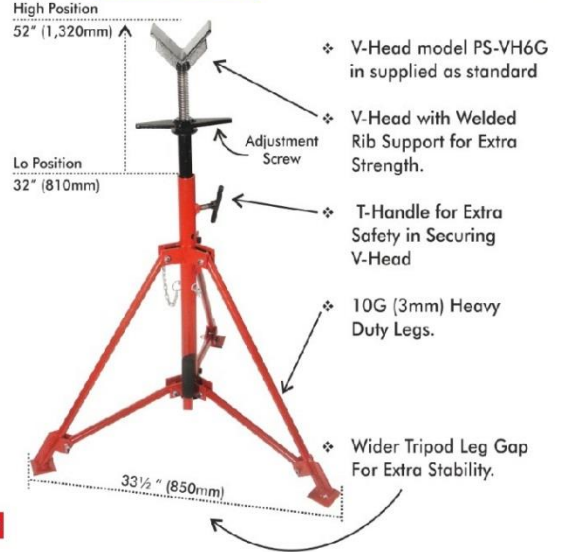
Pipe Stand V-Head 6G



Pipe Stand Roller Head 24 with steel wheels



LOAD CAPACITY
5000 Lbs / 2300Kg



Load Capacity	Weight	Suitable For Pipe Dia	Load Capacity	Weight	Suitable For Pipe Dia
4000Lb/1800Kg	2.8 Kg	1/2-6" (12-30mm)	2500Lb/1135Kg	9.3 Kg	1-24" (50-600mm)



Tell: 011 462 4963 / 3766
E-mail: enquiries@ptswelding.co.za
Web: www.ptswelding.co.za